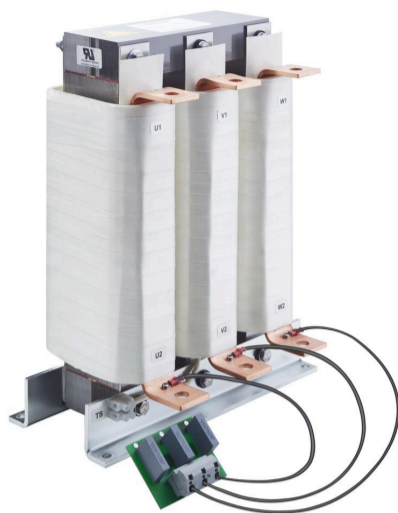


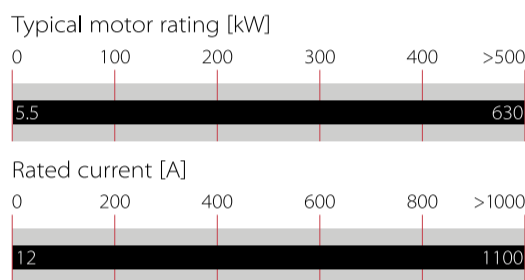
# Output Filter for Motor Drives



- Reduction of drive output voltage dv/dt
- Reduction of voltage stress at motor windings
- Protect AC motors from destructive effect of peak voltages
- Increase of motor service life
- Improvement of system reliability



### Performance indicators



## Technical Specifications

<b>Nominal operating voltage</b>	3x500 VAC
<b>Rated operating voltage</b>	3x550 VAC
<b>Rated currents</b>	12 to 1100 A @ 40°C
<b>Voltage drop</b>	<3 V @ 50 Hz
<b>Typical dv/dt reduction</b>	Factor 8 to 12
<b>Motor frequency</b>	0..60 Hz (with derating up to 120 Hz, see graph)
<b>Switching frequency</b>	2 to 16 kHz, depending on motor cable length and operating voltage (see graph)
<b>Overload capability</b>	1.5 x rated current for 1 minute, ones per hour
<b>Max. peak voltage</b>	≤1000 V
<b>High potential test voltage</b>	P -> E 3300 VAC, 1 minute P -> P 3300 VAC (without caps), 1 minute P -> P 2500 VDC caps, 2 s
<b>Overvoltage category</b>	OV III (IEC 60664-1)
<b>Protection category</b>	IP 00
<b>Motor cable length</b>	Up to 500 m (see graph page 2)
<b>Ambient temperature range</b>	-25°C to +40°C fully operational +40°C to +100°C with derating* -25°C to +100°C transport and storage
<b>Design corresponding to</b>	UL 61800-5-1, EN 61800-5-1, EN 61558-2-20 or EN 60076-6
<b>Flammability corresponding to</b>	UL 94 V-2

\* Iderated = Inominal \* SQRT((Tmax-Tamb)/(Tmax-Tnominal)) = Inominal \* SQRT((100°C-Tamb)/60°C)

### Approvals & Compliances



UL recognized up to 700 A

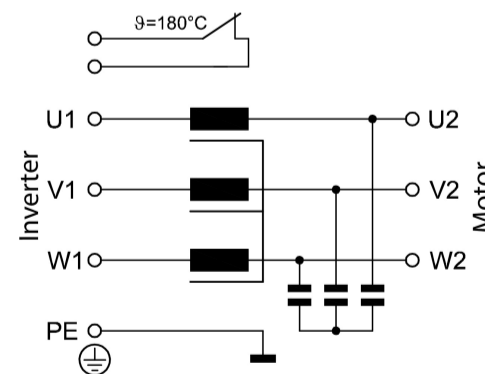
### Features and Benefits

- Efficient reduction of high output voltage dv/dt from IGBT motor drives (as per IEC 60034-17/25)
- Restriction of overvoltages caused by line reflections on motor cables (as per IEC 60034-17/25)
- Protection of motor winding insulation from premature aging and destruction
- Increase service life of electric motors
- High reliability and production up time for mission critical applications
- Less interference propagation towards neighbouring equipment or lines
- Output filter with low impedance, ideal for processes requiring exceptional precision and reproducibility of movements

### Typical Applications

- Motor drive applications with short to medium motor cable length
- Machinery comprising servo or torque motors
- Conveyers
- HVAC equipment, incl. pumps, fans and compressors
- Elevators, hoisting and cranes
- Motor drives for process lines
- Applications where sine wave filters are not suited (e.g. high dynamic operation)

### Typical electrical schematic



## Filter Selection Table

Filter	Rated current @ 40°C/50 Hz [A]	Typical motor drive power rating @ 400 V* [kW]	Typical motor drive power rating @ 480 V** [kW]	Nominal inductance [mH]	Nominal capacitance [nF]	Typical power loss*** [W]	Voltage drop**** [V]	Input/ Output connections	Weight [kg]
<b>FN5060-12-84</b>	12	5.5	6.6	0.095	4.7	53	0.4	-84	1
<b>FN5060-24-84</b>	24	11	13.2	0.098	4.7	55	0.7	-84	1.6
<b>FN5060-30-99</b>	30	15	18.0	0.254	33	143	2.4	-99	6.3
<b>FN5060-45-99</b>	45	22	26.4	0.17	33	182	2.4	-99	6.3
<b>FN5060-60-99</b>	60	30	36.0	0.127	33	189	2.4	-99	7.4
<b>FN5060-70-99</b>	70	37	44.4	0.109	33	214	2.4	-99	8.6
<b>FN5060-90-99</b>	90	45	52.8	0.085	33	254	2.4	-99	10.4
<b>FN5060-110-99</b>	110	55	66	0.069	33	316	2.4	-99	11.5
<b>FN5060-150-99</b>	150	75	90	0.051	68	449	2.4	-99	14.6
<b>FN5060-180-99</b>	180	90	108	0.042	68	464	2.4	-99	18.0
<b>FN5060-250-99</b>	250	132	158	0.031	68	508	2.4	-99	22.1
<b>FN5060-320-99</b>	320	160	192	0.024	68	604	2.4	-99	29.6
<b>FN5060-400-99</b>	400	200	240	0.019	68	637	2.4	-99	32.2
<b>FN5060-500-99</b>	500	250	300	0.015	68	471	2.4	-99	54.5
<b>FN5060-600-99</b>	600	315	378	0.013	100	437	2.5	-99	63.5
<b>FN5060-700-99</b>	700	400	480	0.011	100	486	2.4	-99	74.0
<b>FN5060-900-99</b>	900	500	600	0.008	100	597	2.3	-99	86.5
<b>FN5060-1100-99</b>	1100	630	756	0.007	100	695	2.4	-99	114.0

\* General purpose four-pole (1500 r/min) AC induction motor rated 400 V/50 Hz.

\*\* General purpose four-pole (1500 r/min) AC induction motor rated 480 V/50 Hz.

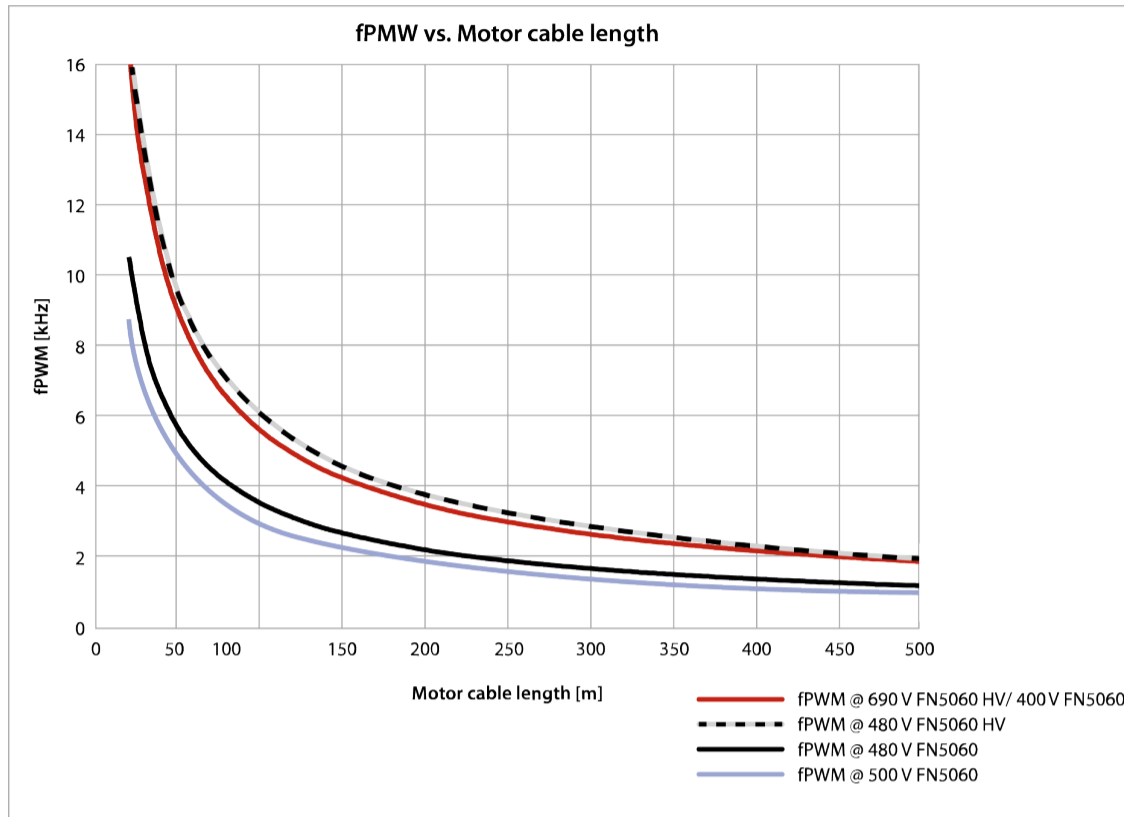
\*\*\* Power loss at 2 kHz switching frequency/80 m motor cable length. Exact value depends upon the motor cable type and length, switching frequency and further stray parameters within the system.

\*\*\*\* Voltage drop at rated current and 50 Hz.

### Switching Frequency Vs. Motor Cable Length

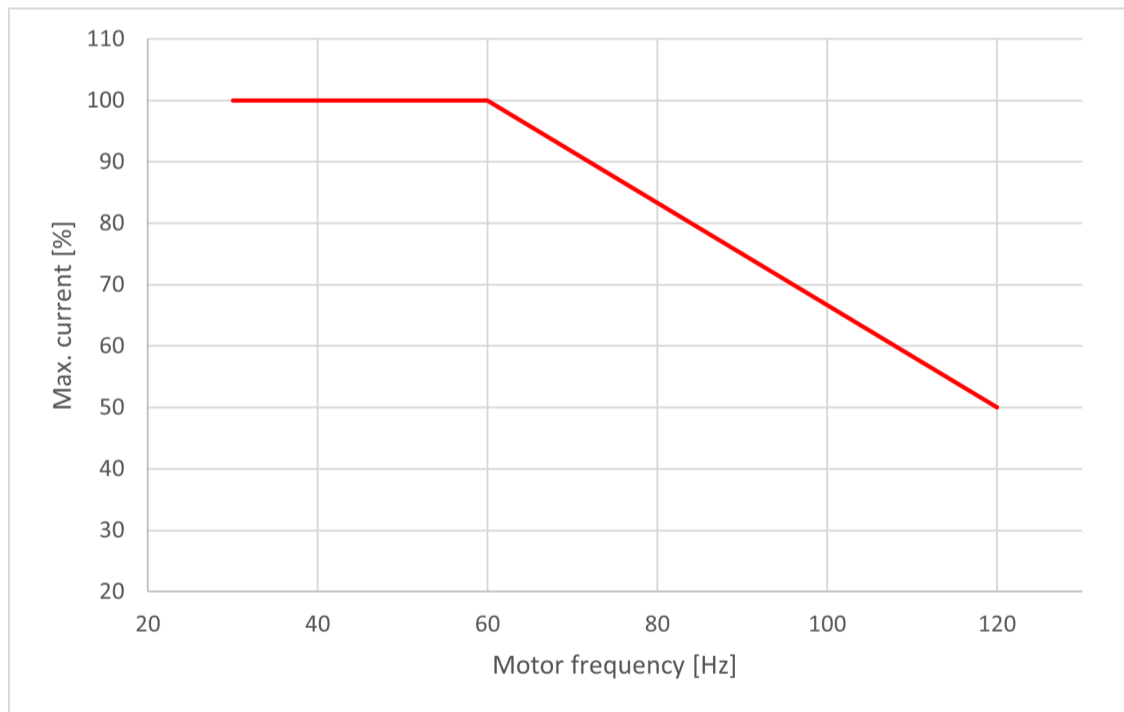
Ensure the motor drive switching frequency is set to the required switching frequency (see filter selection table). Check the drives manual whether special settings are necessary. For any questions please contact the drives manufacturer.

Refer also to the “fPWM/cable length” diagram below:



### Motor Frequency Derating

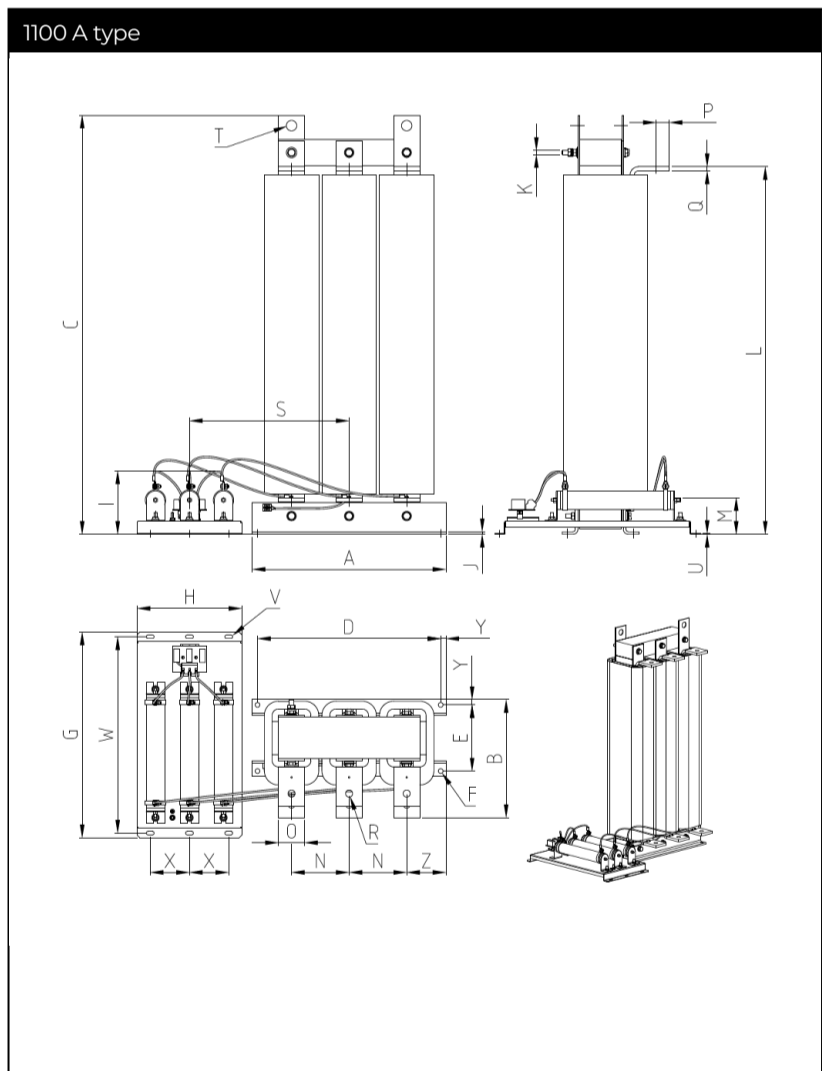
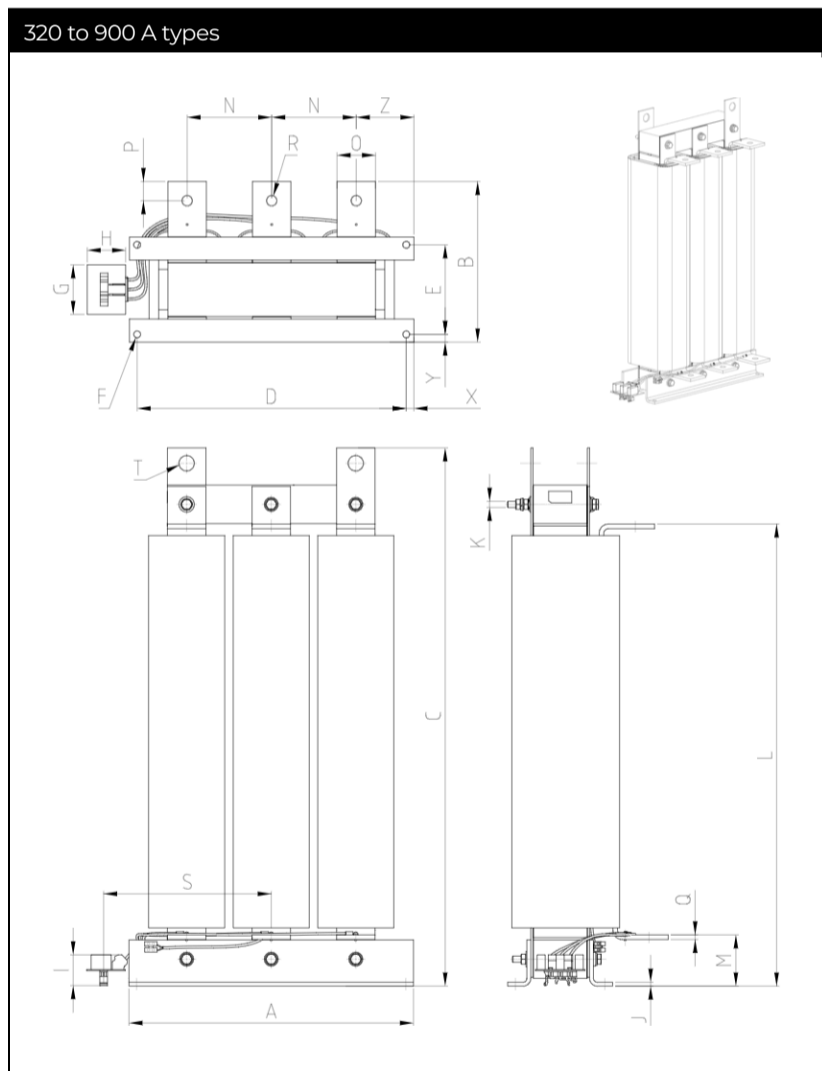
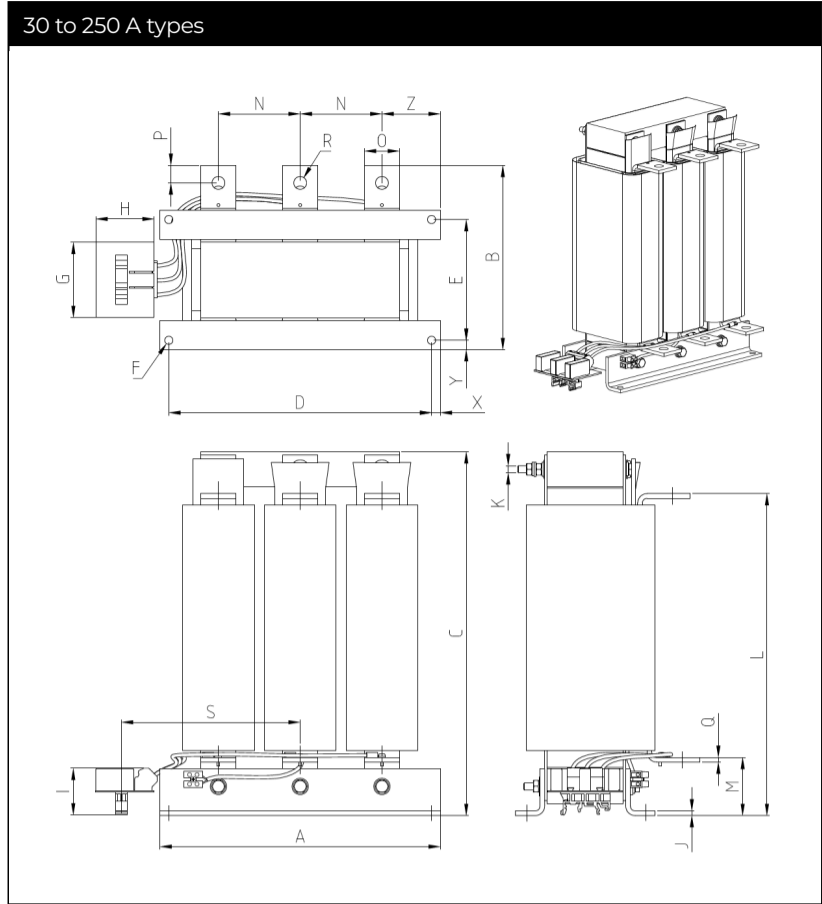
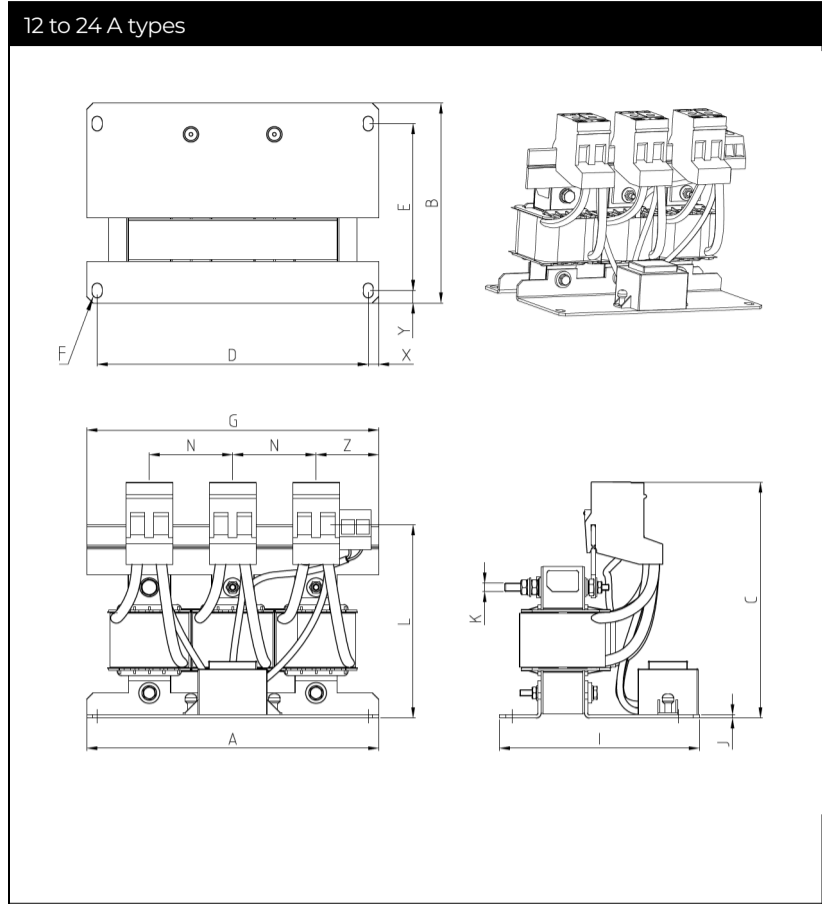
The usage of an output filter when driving a motor at a frequency above 60Hz require to apply a derating on the filter rated current. Example: a filter rated for a current of 100 A used with a 50% derating can be used with a maximum current of 50 A. In other words, to achieve the same rated current with a derating, a larger filter must be selected. See the chart below to calculate the derating in function of the motor frequency.



### Temperature Monitoring Function

The temperature monitoring device opens a potential-free contact in the case of filter overtemperature (>180°C). The maximum switching capability is 5 A/240 V. The switch can be used, for example, in the input of a CNC controller or as the trip of a circuit breaker in order to interrupt the mains power supply.

### Mechanical Data



## Dimensions (12 - 250 A)

	12 A	24 A	30 A	45 A	60 A	70 A	90 A	110 A	150 A	180 A	250 A
<b>A</b>	125	140	240	240	240	240	240	240	240	240	240
<b>B</b>	85.5	96	109	110	110	121	130	136	141.5	142.5	158
<b>C</b>	104	113	151	151	181	222	221	221	254	310	312
<b>D</b>	115	130	225	225	225	225	225	225	225	225	225
<b>E</b>	70	80	66.5	66.5	66.5	66.5	76.5	81.5	86.5	88.5	103.5
<b>F</b>	7x4.8	7x4.8	Ø7(4x)	Ø7(4x)	Ø7(4x)	Ø7(4x)	Ø7(4x)	Ø7(4x)	Ø7(4x)	Ø7(4x)	Ø7(4x)
<b>G</b>	120	140	64.5	64.5	64.5	64.5	64.5	64.5	64.5	64.5	64.5
<b>H</b>			50	50	50	50	50	50	50	50	50
<b>I</b>			40	40	40	40	40	40	40	40	40
<b>J</b>			4	4	4	4	4	4	4	4	4
<b>K</b>	M4	M4	M6	M6	M6	M6	M6	M6	M6	M6	M6
<b>L</b>	84	93	120	121	148	181	181	181	222	275	276
<b>M</b>			43	44	46	54	54	54	46	49	50
<b>N</b>	34.5	40	70	70	70	70	70	70	70	70	70
<b>O</b>			20	20	20	30	30	30	30	30	30
<b>P</b>											
<b>Q</b>			3	3	3	3	3	3	4	4	4
<b>R</b>			Ø9(6x)	Ø9(6x)	Ø9(6x)	Ø11(6x)	Ø11(6x)	Ø11(6x)	Ø11(6x)	Ø11(6x)	Ø11(6x)
<b>S</b>	max. 360	max. 360	max. 360	max. 360	max. 360	max. 360	max. 360	max. 360	max. 360	max. 360	
<b>T</b>											
<b>U</b>											
<b>V</b>											
<b>W</b>											
<b>X</b>	5	5	7.5	7.5	7.5	7.5	7.5	7.5	7.5	7.5	7.5
<b>Y</b>	6	6	8	8	8	8	8	8	8	8	8
<b>Z</b>	27.5	30									

All dimensions in mm-; 1 inch = 25.4 mm

Tolerances according: ISO 2768-m/EN 22768-m

## Dimensions (320 -1100 A)

	320 A	400 A	500 A	600 A	700 A	900 A	1100 A
<b>A</b>	240	240	370	370	370	370	370
<b>B</b>	165	174	197	199	209	209	225
<b>C</b>	438	438	499	598	599	700	801
<b>D</b>	225	225	350	350	350	350	350
<b>E</b>	103.5	108.5	106.5	106.5	116.5	116.5	126.5
<b>F</b>	Ø7(4x)	Ø7(4x)	Ø9(4x)	Ø9(4x)	Ø9(4x)	Ø9(4x)	Ø9(4x)
<b>G</b>	64.5	64.5	64.5	64.5	64.5	64.5	393
<b>H</b>	50	50	50	50	50	50	200
<b>I</b>	40	40	40	40	40	40	120
<b>J</b>	4	4	5	5	5	5	5
<b>K</b>	M6	M6	M8	M8	M8	M8	M8
<b>L</b>	375	375	401	500	501	601	702
<b>M</b>	51	51	66	65	67	67	70
<b>N</b>	70	70	110	110	110	110	110
<b>O</b>	30	30	50	50	50	50	50
<b>P</b>	15	15	25	25	25	25	25
<b>Q</b>	6	6	5	5	6	6	8
<b>R</b>	Ø11(6x)	Ø11(6x)	Ø13.5(6x)	Ø13.5(6x)	Ø13.5(6x)	Ø13.5(6x)	Ø13.5(6x)
<b>S</b>	max. 360	max. 360	max. 420	max. 420	max. 420	max. 420	max. 550
<b>T</b>	Ø18(2x)	Ø18(2x)	Ø20(2x)	Ø20(2x)	Ø20(2x)	Ø20(2x)	Ø20(2x)
<b>U</b>							1.5
<b>V</b>							6.5
<b>W</b>							375
<b>X</b>	7.5	7.5	10	10	10	10	75
<b>Y</b>	8	8	10	10	10	10	10
<b>Z</b>							

All dimensions in mm; 1 inch = 25.4 mm

Tolerances according: ISO 2768-m/EN 22768-m

## Filter Input/Output Cross Sections

	-84
<b>Solid wire</b>	6 mm <sup>2</sup>
<b>Flex wire</b>	4 mm <sup>2</sup>
<b>AWG type wire</b>	AWG 10
<b>Recommended torque</b>	0.6-0.8 Nm

Please note:

The input/output cross sections have to be of equal or bigger size as the cross section of the filter bus bar terminals.

Make sure to consult and respect local, national and international safety codes.

Connect the protective earth terminal(s) first, before attempting to connect phase terminals.

Please consult the documents „Mounting and Installation Guidelines“ being shipped with the product.

For additional information please consult the document „Basis in EMC and Power Quality“, published in the download section of [www.schaffner.com](http://www.schaffner.com).

## Headquarters, Global Innovation and Development

### Switzerland

#### Schaffner Group

Industrie Nord  
Nordstrasse 11e  
4542  
Luterbach  
+41 32 681 66 26  
[info@schaffner.com](mailto:info@schaffner.com)

## Sales and Application Centers

### Switzerland

#### Schaffner EMV AG

Industrie Nord  
Nordstrasse 11e  
4542  
Luterbach  
+41 32 681 66 26  
[switzerlandsales@schaffner.com](mailto:switzerlandsales@schaffner.com)

### China

#### Schaffner EMC Ltd. Shanghai

Building C  
T20-3 C No 565 Chuangye Road Pudong district  
C 幢 上海市浦东新区创业路 565 号 T20-3  
201201  
Shanghai  
+ 86 21 38 139 500  
[cschina@schaffner.com](mailto:cschina@schaffner.com)

### Singapore

#### Schaffner EMC Pte Ltd.

Blk 3015A Ubi Road 1 #05-09 Kampong Ubi  
Industrial Estate  
408705  
Singapore  
+65 63773283  
[singaporesales@schaffner.com](mailto:singaporesales@schaffner.com)

To find your local partner within Schaffner's global network [schaffner.com](http://schaffner.com)

© 2023 Schaffner Group

The content of this document has been carefully checked and understood. However, neither Schaffner nor its subsidiaries assume any liability whatsoever for any errors or inaccuracies of this document and the consequences thereof. Published specifications are subject to change without notice. Product suitability for any area of application must ultimately be determined by the customer. In all cases, products must never be operated outside their published specifications. Schaffner does not guarantee the availability of all published products. This disclaimer shall be governed by substantive Swiss law and resulting disputes shall be settled by the courts at the place of business of Schaffner Holding AG. Latest publications and a complete disclaimer can be downloaded from the Schaffner website. All trademarks recognized.